



鑫
鑫

帆

铜

业

XINFAN COPPER INDUSTRY



玉环县鑫帆铜业有限公司
YUHUANTOWNXINFANCOPPERINDUSTRYCO.,LTD

鑫帆铜业

玉环县鑫帆铜业有限公司
YUHUANTOWNXINFANCOPPERINDUSTRYCO.,LTD

地址：浙江省玉环县科技工业园区

Add: Scicntific And Technological Industrial Park Of
Yuhuan, Zhejiang

电话(Tel): 0086-576-7121990 7121991

传真(Fax): 0086-576-7121992 (宅(Home)7103234)

邮编(P.C.): 317606

http://www.zj-xf.com

E-mail: web@zj-xf.com



鑫帆铜业

Xinfan Copper Industry

INTRODUCTION

企业简介

鑫帆铜业有限公司(原:清港日丰管件厂)从事铜阀门、卫生洁具和水暖器材的设计、开发、生产与服务的专业厂家;公司占地5000多平方米,现有员工180余人,其中专业技术人员30名;年生产能力超过2000吨,销售额达2000万元以上,完善的设计、加工、检测工艺流程,企业已通过ISO9001:2000质量管理体系国际认证。公司主要生产鑫帆牌系列产品,种类包括铜分水器、温控阀、铜球阀、截止阀、闸阀、止回阀、暖气管道等系列阀门,各类品种规格达200多种。

鑫帆牌产品不仅品种多,规格齐,而且外形美观、性能好、品质优良。随着科学技术的飞速发展,公司采用国际先进的Prs/E专业设计软件进行产品设计,运用高效精密加工机床设备,有着严格完整的产品管理体系,使鑫帆牌产品深受消费者的好评与推崇。许多大型重点建设项目均选用了鑫帆牌系列产品。

公司荣获香港国际新技术新产品博览会金奖,中国质量检验协会会员,国家质检合格建材绿色环保产品,外观设计专利产品,竭诚为国内外新老客户服务。公司热诚欢迎您前来洽谈业务、指导、合作!

Xinfan brass co, ltd(once named by Qinggang Rifeng fitting Plant), is a special enterprise for the design, development and service of the brass valve, sanitary uiensils, as well as heating instruments. With its building area 5,000 square meters, our company has employed 180 people, including 30 specialist. Our sales has amounted to RMB 20 million yuan with its annual production capacity up 2,000 ton. We have passed ISO 9001 and international identification by 2000 quality management system for its complete design process and test draft flow. We mainly deal with series of Xinfan brand products:brass ball valve, brass stop valve, gate valve, check valve, and so on. There are more than 200 in assortment and specification.

Our Xinfan brand products are not only abundant in assortment and specification, but also beautiful in outside and excellent in quality. As the quick development of technology and science, we adopt international advanced PRS/E software to design products. The enterprise has gained good reputation for its efficitly-processing machine and strictly managing system. Many great building items has selected our Xinfan brand products.

We get gold medal in the new technological products exhibition by 2000 in Hongkong. We are also member of the China Quality Inspection Committee, what's more, our products are regarded as green protection building products and patent products for its outside design.

We will provide first class service for old and new clients at home and abroad. Looking forwald to establishing business relationship with you!





FX-501 黄铜分水器
BRASS BALL WATER SEPARATOR



FX-503 PP-R活接镀镍分水器
PP-R SWIVELUNION BALLNICKEL-PLATED WATER SEPARATOR

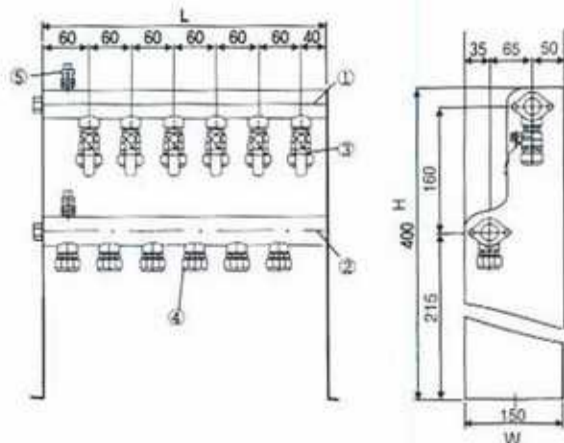


FX-502 黄铜镀镍分水器
BRASS BALLNICKEL-PLATED WATER SEPARATOR



FX-504 外丝活接镀镍分水器
MALE SCREW SWIVELUNION BALLNICKEL-PLATED WATER SEPARATOR

规格	W	L	H
XF 2	150	160	400
XF 3	150	220	400
XF 4	150	280	400
XF 5	150	340	400
XF 6	150	400	400
XF 7	150	460	400
XF 8	150	520	400
XF 9	150	580	400
XF 10	150	640	400
XF 11	150	700	400
XF 12	150	760	400



1. 主管(PT20, PT25, PT32, PT40, PT50)
2. 主管(PT20, PT25, PT32, PT40, PT50)
3. 球阀(PT15, PT20, PT25)
4. 接管(PT15, PT20, PT25)
5. 放气阀



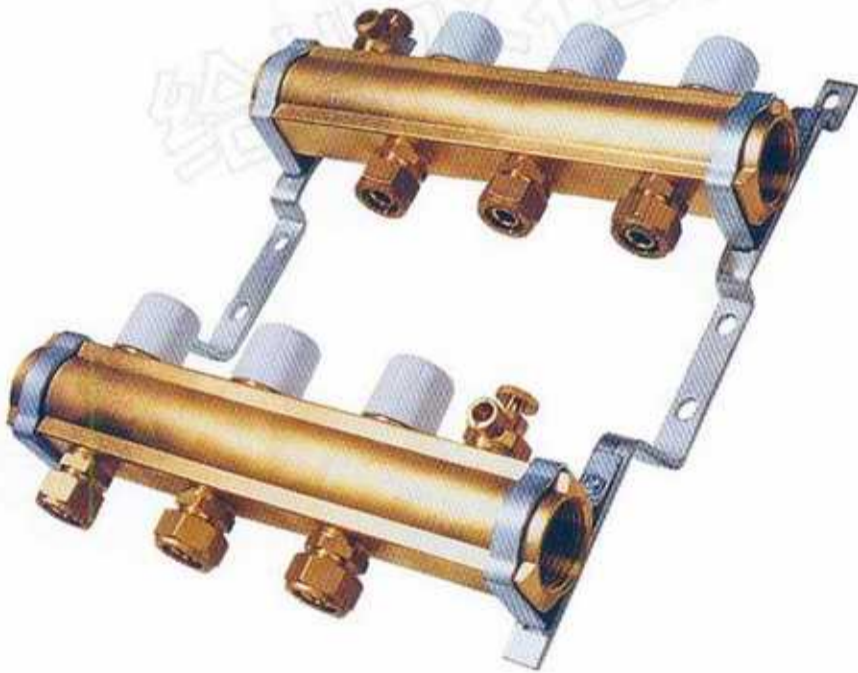
XF-505 支架式分水器
THE SHELF DEVICE FOR DIVIDING WATER



XF-507 支架式手动单体分水器
THE MONOCASE SHELF DEVICE FOR DIVIDING WATER BY HAND



XF-508 铸造单体分水器
THE MONOCASE DEVICE FORGED FOR DIVIDING WATER



XF-506 支架式手动分水器
THE SHELF DEVICE FOR DIVIDING WATER BY HAND



XF-509 温控阀
TEMPERATURE-CONTROL VALVE



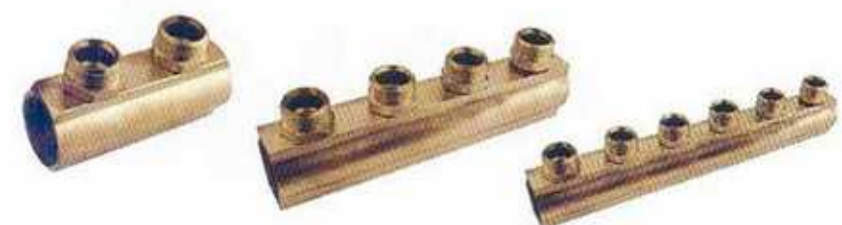
XF-510
BAR MANIFOLDS BRASS FITTINGS



XF-511
BAR MANIFOLDS BRASS FITTINGS



XF-512
BAR MANIFOLDS BRASS FITTINGS



XF-513
BAR MANIFOLDS BRASS FITTINGS



XF-514
BAR MANIFOLDS BRASS FITTINGS



XF-515
BAR MANIFOLDS BRASS FITTINGS



XF-516
BAR MANIFOLDS BRASS FITTINGS

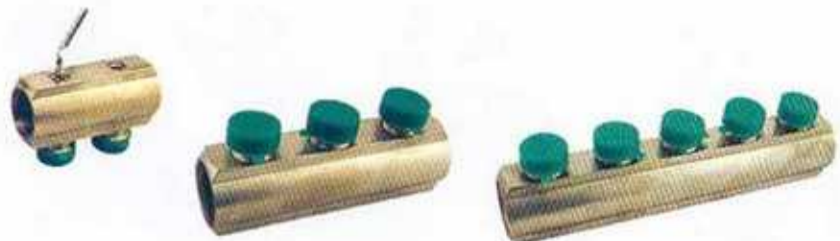


XF-517
BAR MANIFOLDS BRASS FITTINGS



鑫帆铜业

XINFAN COPPER INDUSTRY



XF-518
BAR MANIFOLDS BRASS FITTINGS



XF-522
BAR MANIFOLDS BRASS FITTINGS



XF-519
MANIFOLDS WITH STOP VALVE AND CHECK VALVE



XF-523
MANIFOLDS WITH STOP VALVE AND CHECK VALVE



XF-520
MANIFOLDS WITH STOP VALVE AND CHECK VALVE



XF-524
MANIFOLDS WITH STOP VALVE AND CHECK VALVE



XF-521
MANIFOLDS WITH STOP VALVE AND CHECK VALVE



XF-525
MANIFOLDS WITH STOP VALVE AND CHECK VALVE



XF-101 铝塑复合管锻压箍卡式球阀(双卡式)
ALUMINIUM PLASTIC COMPOUND HOOP FORGING COPPER BALL VALVE (DOUBLE-WAY)



XF-105 黄铜铝塑复合管球阀
BRASS ALU. PLASTIC COMPOUND PIPE BALL VALVE



XF-102 铝塑复合管锻压箍卡式球阀(单卡式)
ALUMINIUM PLASTIC COMPOUND HOOP FORGING COPPER BALL VALVE (SINGLE-WAY)



XF-106 机械传动启闭球阀
THE MACHINE SPREADS ACTUATED BALL VALVE



XF-103 黄铜直插式多用球阀
BRASS DIRECT-TYPE MULTI-FUNCTION BALL VALVE



XF-107 黄铜球阀
BRASS BALL VALVE



XF-104 黄铜球阀
BRASS BALL VALVE



XF-108 黄铜球阀
BRASS BALL VALVE



XF-109 黄铜球阀
BRASS BALL VALVE



XF-113 黄铜球阀
BRASS BALL VALVE



XF-110 黄铜球阀
BRASS BALL VALVE



XF-114 黄铜球阀
BRASS BALL VALVE



XF-111 黄铜球阀
BRASS BALL VALVE



XF-115 黄铜球阀
BRASS BALL VALVE



XF-112 黄铜球阀
BRASS BALL VALVE



XF-116 黄铜球阀
BRASS BALL VALVE



XF-117 黄铜球阀
BRASS BALL VALVE



XF-121 PP-R黄铜活接球阀
PP-R BRASS BALL SWIVELUNION VALVE



XF-118 蝶形铜球阀
COPPER BALL VALVE (BUTTERFEY HANDLE)



XF-122 PP-R黄铜活接球阀
PP-R BRASS BALL SWIVELUNION VALVE



XF-119 蝶形铜球阀
COPPER BALL VALVE (BUTTERFEY HANDLE)



XF-123 PP-R蝶形活接铜球阀
PP-R COPPER SWIVELUNION BALL VALVE (BUTTERFEY HANDLE)



XF-120 蝶形铜球阀
COPPER BALL VALVE (BUTTERFEY HANDLE)



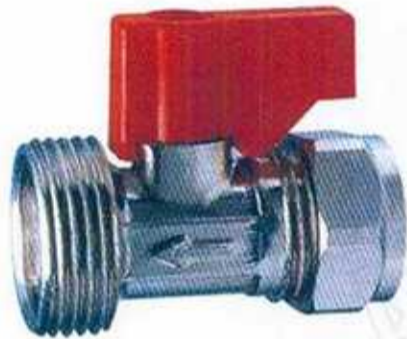
XF-124 PP-R蝶形活接铜球阀
PP-R COPPER SWIVELUNION BALL VALVE (BUTTERFEY HANDLE)



XF-125 蝶形铜球阀
COPPER BALL VALVE (BUTTERFEY HANDLE)



XF-129 黄铜球阀
BRASS BALL VALVE



XF-126 蝶形铜球阀
COPPER BALL VALVE (BUTTERFEY HANDLE)



XF-130 黄铜球阀
BRASS BALL VALVE



XF-127 黄铜球阀
BRASS BALL VALVE



XF-131 黄铜球阀
BRASS BALL VALVE



XF-128 蝶形铜球阀
COPPER BALL VALVE (BUTTERFEY HANDLE)



XF-132 黄铜球阀
BRASS BALL VALVE



XF-133 弹簧洒水器
SPRING SPRINKLING DEVICE



XF-134 弹簧洒水器
SPRING SPRINKLING DEVICE



XF-135 圆形弹簧洒水器
ROUND SPRING SPRINKLING DCVICE



XF-136 圆形弹簧洒水器
ROUND SPRING SPRINKLING DCVICE



XF-137 铝塑复合管锻压箍卡式球阀(蝶形)
ALUMINIUM PLASTIC COMPOUND HOOP FORGING COPPER BALL VALVE (DOUBLE-WAY)



XF-138 铝塑复合管锻压箍卡式球阀(蝶形)
ALUMINIUM PLASTIC COMPOUND HOOP FORGING COPPER BALL VALVE (DOUBLE-WAY)



XF-139 铝塑复合管锻压箍卡式球阀(蝶形)
ALUMINIUM PLASTIC COMPOUND HOOP FORGING COPPER BALL VALVE (DOUBLE-WAY)



XF-140 蝶形活接球阀(外丝)
BUTTERTLY BALL VALVE WITH FEMALE THREAD UNION ENDS



XF-141 黄铜直插式多用闸阀
BRASS DIRECT-TYPE MULTI-FUNCTION GATE VALVE



XF-145 青铜卡套截止阀
BRONZE GUARD STAPLE STOP VALVE



XF-142 黄铜PP-R管专用闸阀
BRASS PP-R PIPE SPECIAL GATE VALVE



XF-146 青铜内螺纹截止阀
BRONZE FEMALE THREAD STOP VALVE



XF-143 黄铜锻压闸阀
FORGING COPPER GATE VALVE



XF-147 青铜内螺纹截止阀
BRONZE FEMALE THREAD STOP VALVE



XF-144 黄铜锻压铜密封截止阀
SEALED STOP VALVES WITH FORGED BRASS



XF-148 青铜焊接截止阀
BRONZE WELDING STOP VALVE



XF-149 黄铜三接水嘴
THE BRASS BALL BIBCOCK BY THREE TIMES



XF-153 黄铜三接水嘴
THE BRASS BALL BIBCOCK BY THREE TIMES



XF-150 黄铜三接水嘴
THE BRASS BALL BIBCOCK BY THREE TIMES



XF-154 黄铜三接水嘴
THE BRASS BALL BIBCOCK BY THREE TIMES



XF-151 黄铜三接水嘴
THE BRASS BALL BIBCOCK BY THREE TIMES



XF-155 水嘴
BIBCOCK



XF-152 水黄铜三接水嘴
THE BRASS BALL BIBCOCK BY THREE TIMES



XF-156 水嘴
BIBCOCK



XF-157 黄铜角阀
ANGLE VALVE



XF-161 黄铜角阀
ANGLE VALVE



XF-158 黄铜角阀
ANGLE VALVE



XF-162 黄铜角阀
ANGLE VALVE



XF-159 黄铜角阀
ANGLE VALVE



XF-163 黄铜锻压球型三角阀
BRASS FORGING BALL TYPE TRIANGLE VALVE



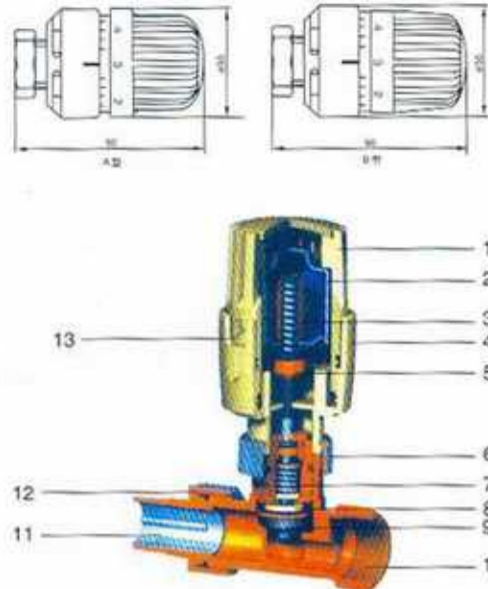
XF-160 锻压黄铜暖气三通球阀
FORGING BRASS THREE-WAY BALL VALVE(FOR HEATED-AIR USE)



XF-164 锻压黄铜带锁球阀
FORGING BRASS BALL VALVE WITH LOCK(HEAVY-DUTY)



XF-165 温控阀
TEMPERATURE-CONTROL VALVE



1. 简介

集中供热系统中，进水管的热水先经过温控阀再流入散热器。温控阀在二方温度区间内自动进行流量调节，使房间温度保持在你所需温度范围内(2℃波动)，达到既节能又舒适的效果。

2. 技术参数

- 温控范围：6~28℃
- 供水温度：120℃以下 液压强度：1.6MPa
- 工作压力：≤1MPa 阀前后允许压差：≤1bar
- 机械寿命及温度耐力：75000次 阀体铜锻件镀镍
- 热水水质要求：PH4.0~9.5
- 规格：DN15, DN20, DN25
- 其余技术指标符合EN15要求

3. 温控整体结构图

- 1. 调节手轮 2. 感温元件 3. 膨胀波纹管 4. 调节外套 5. 传导顶杆
- 6. 接阀锁母 7. 顶心弹簧 8. 阀心 9. 丁睛橡胶密封件 10. 进口内螺纹
- 11. 出口接头 12. 接头锁母 13. 读数口

室内温控器工作原理：

温控器采用热敏电阻感温元件，由电子逻辑电路对其测量的温度进行比较，当温度差超过约1℃时，自动启动风机(或电动阀)；当室温达到设定温度时，自动关闭风机(或电动阀)，达到保持室内恒温的目的。

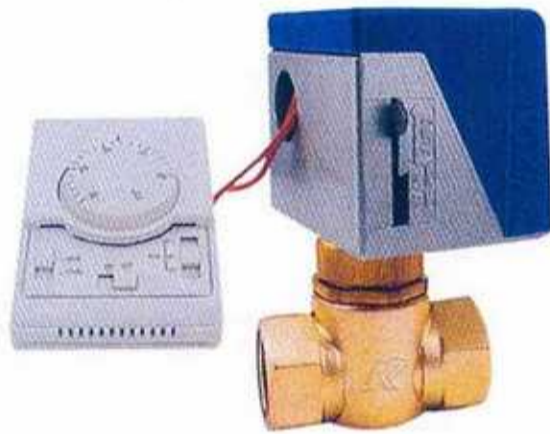
工作特点：

电子电路控制，自动控温，温度无级调节拨动式开关，易于操作。

温控器配电动阀，同时控制风机和电动阀开关冷热转换外壳为ABS阻燃材料。

技术指标：

适用范围	单相三速风机盘管、电动风阀	工作电源	220V AC±15%, 50Hz
最大负载	400W	状态指示	开关位置
控温范围	10-30℃	外形尺寸	130x80x43mm
控温精度	±1℃	安装孔距	60mm
自耗功率	2W	外壳	阻燃



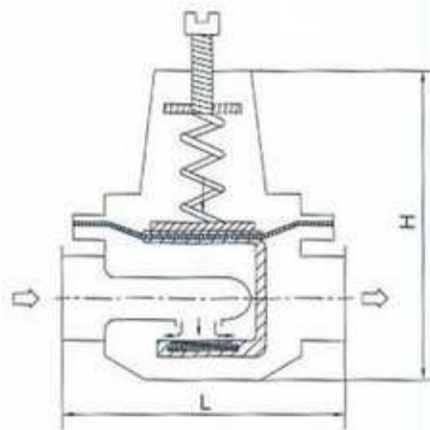
XF-166 电动温控阀
ELECTRIC TEMPERATURE CONTROL VALVE

- 电动阀技术参数：
1. 输入电源：220V, 50Hz
 2. 工作压力：≤2MPa
 3. 工作压差：≤0.4MPa
 4. 介质：醇溶液(水>50%)
 5. 介质温度：1℃~95℃
 6. 环境温度：0℃~65℃
 7. 口径：DN, DN20, DN25铜质

- 工作特点：
1. 低功耗，只有在阀门改变位置时才耗电。
 2. 执行器拆卸方便，不影响水系统循环，维护简单。
 3. 没有进、出水口之分，安装方便。



XF-167 支路减压阀
TYPE SPUR TRACK DECOMPRESSION TAP



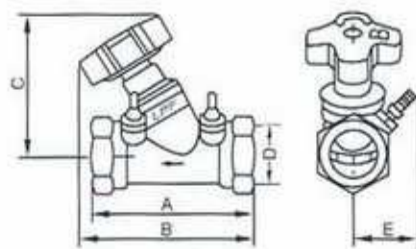
结构特征：

- ★ 阀门铸造精密，外观精美，体积小，节省安装空间。
- ★ 耐脏防水垢，不需过滤器，可任何角度安装。
- ★ 出口压力精密可调，长久不变，有可靠的减压稳压效果。
- ★ 水头损失小，出口压力稳定，减压比可达10:1。
- ★ 内部结构简单，故障率低，可靠性高，使用寿命长。

CODE	DN	Lmin	Hmin	重量kg
7701	15	100	170	1.0
7702	20	100	170	1.2
7703	25	120	190	2.0
7704	32	150	190	2.6
7705	40	150	210	2.8
7706	50	180	210	3.5



XF-168 平衡阀
BALANCE VALVE



平衡阀的结构与说明：

- (1) 采用了新型的“O”形圈密封结构，既保证了密封良好，无渗漏现象，也使调节阀时手柄旋转轻便自如。
- (2) 采用倾斜式阀芯和阀杆，使阀内流体的流动比垂直式阀芯和阀杆更顺畅，性能更优良。
- (3) 阀杆采用螺杆套筒式结构，增大阀门开度，阀杆不升高，因此大大减小了安装空间。
- (4) 采用数码方式显示阀门开度，使开度指示更加精确、直观、清晰。
- (5) 阀体结构经计算机模拟设计，既保证了阀体强度，也使阀门总体重量减轻近30%，便于安装、搬运。
- (6) 平衡阀阀体采用热锻工艺成型，显著提高机械性能，表面平整光洁，外形精致美观。
- (7) 阀芯、阀杆、锁定杆、为关键零部件全部采用黄铜制造，显著提高机械性能和使用寿命。

- 技术规范：
1. 公称压力：PN≤1.6MPa
 2. 工作介质：冷热水、燃气、油等
 3. 工作温度：-20℃≤T≤150℃
 4. 螺纹标准：55° 英制管螺纹

- Technical standard
1. Nominal Pressure: PN≤1.6MPa
 2. Applicable temperature: cold & hot water, gas fuel, oil etc
 3. Applicable temperature: -20℃≤T≤150℃
 4. Thread standard: 55° inch system pipe thread

CODE	DN	流通能力 (m³/h)	全开阻力系数	A	B	C	D	E
8701	15	4.0	5.06	90	113	97	1/2"	40
8702	20	5.5	8.46	96	118	97	3/4"	40
8703	25	8.5	8.46	105	124	97	1"	50
8704	32	11.2	13.37	120	130	103	1 1/4"	50
8705	40	19.0	11.34	132	136	107	1 1/2"	50



XF-169 温控阀
TEMPERATURE-CONTROLL VALVE



XF-173 温控阀
TEMPERATURE-CONTROLL VALVE



XF-170 温控阀
TEMPERATURE-CONTROLL VALVE



XF-174 锻压铜排气阀
BRASS EXHAUSTING VALVE



XF-171 温控阀
TEMPERATURE-CONTROLL VALVE



XF-175 直阀
STRAIGHT VALVE



XF-172 温控阀
TEMPERATURE-CONTROLL VALVE



XF-176 PP-R外丝活接
PP-R MALE SCREW SINGLE SWIVELUNION VALVE



XF-177 黄铜放气阀
BRASS AIR RELEASE VALVE



XF-181 黄铜带网底阀
FORGING BOTTOM VALVE NET



XF-178 球阀过滤器
BRASS FILTER BALL VALVE



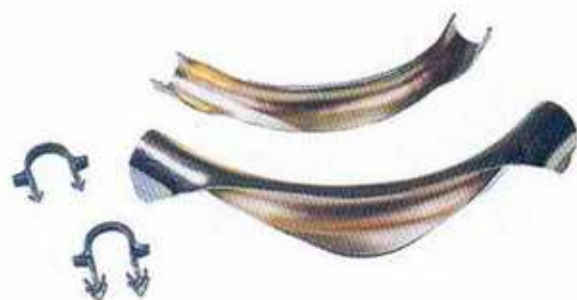
XF-182 青铜内螺纹止回阀
BRONZE FEMALE THREAD CHECK VALVE



XF-179 黄铜过滤阀
BRASS FILTER VALVE



XF-183 紫铜浮球阀
FORGING COPPER FLOAT VALVE



XF-180 铁弯管器、塑料卡钉
IRON RETURN BEND DEVICE, PLASTICS BLOCKED NAIL



XF-184 黄铜水箱阀
WATER TANK VALVE WITH BRASS



鑫帆铜业

XINFAN COPPER INDUSTRY



XF-801
SINGLE-LEVER BIDET MIXER



XF-805
SINGLE-LEVER BASIN MIXER



XF-802
SINGLE-LEVER BIDET MIXER



XF-806
SINGLE-LEVER BASIN MIXER



XF-803
SINGLE-LEVER BIDET MIXER



XF-807
SINGLE-LEVER BASIN MIXER



XF-804
SINGLE-LEVER BIDET MIXER



XF-808
SINGLE-LEVER BASIN MIXER



XF-809
SINGLE-LEVER SHOWER MIXER



XF-813
SINGLE-LEVER SHOWER MIXER



XF-810
SINGLE-LEVER SHOWER MIXER



XF-814
SINGLE-LEVER SHOWER MIXER



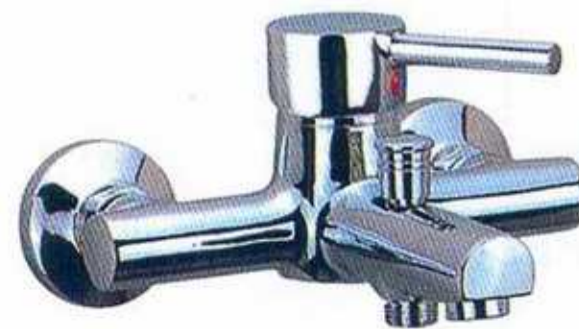
XF-811
SINGLE-LEVER SHOWER MIXER



XF-815
SINGLE-LEVER BATH & SHOWER MIXER



XF-812
SINGLE-LEVER SHOWER MIXER



XF-816
SINGLE-LEVER BATH & SHOWER MIXER



XF-817
SINGLE-LEVER BATH& SHOWER MIXER



XF-821
SINGLE-LEVER BATH& SHOWER MIXER



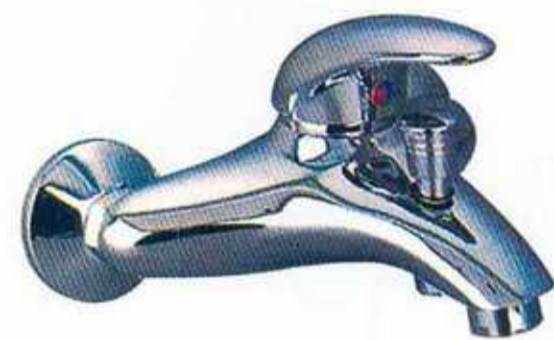
XF-818
SINGLE-LEVER BATH& SHOWER MIXER



XF-822
SINGLE-LEVER BATH& SHOWER MIXER



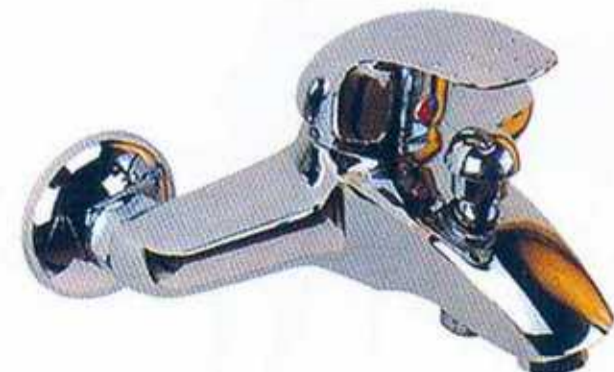
XF-819
SINGLE-LEVER BATH& SHOWER MIXER



XF-823
SINGLE-LEVER BATH& SHOWER MIXER



XF-820
SINGLE-LEVER BATH& SHOWER MIXER



XF-824
SINGLE-LEVER BATH& SHOWER MIXER



XF-825
SINGLE-LEVER ONE-HOLE SINK MIXER WITH SWIVEL HIGH SPOUT



XF-826
SINGLE-LEVER ONE-HOLE SINK MIXER WITH SWIVEL HIGH SPOUT



XF-827
SINGLE-LEVER BASIN MIXER



XF-828
SINGLE-LEVER ONE-HOLE SINK MIXER WITH SWIVEL HIGH SPOUT



XF-829
SINGLE-LEVER WALL-MOUNTED SINK MIXER



XF-830
SINGLE-LEVER WALL-MOUNTED SINK MIXER WITH HAND SHOWER CONNECTION



XF-831
SINGLE-LEVER ONE-HOLE SINK MIXER WITH SWIVEL SPOUT



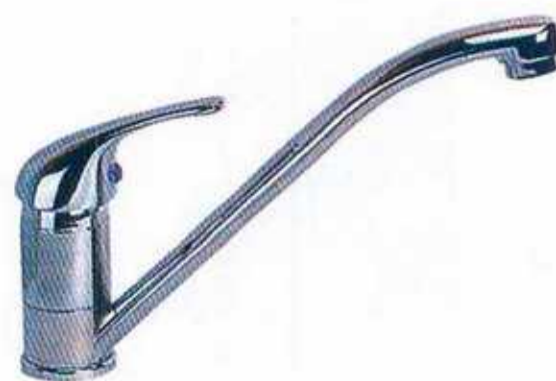
XF-832
SINGLE-LEVER ONE-HOLE SINK MIXER WITH SWIVEL HIGH SPOUT



XF-833
SINGLE-LEVER ONE-HOLE SINK MIXER WITH SWIVEL HIGH SPOUT



XF-834
BRIDGE BASIN MIXER



XF-838
SINGLE-LEVER ONE-HOLE SINK MIXER WITH SWIVEL SPOUT



XF-835
TWO-HANDLE SINK MIXER WITH HIGH SWIVEL SPOUT



XF-839
SINGLE-LEVER ONE-HOLE SINK MIXER WITH PULL-OUT SPRAY



XF-836
SINGLE-LEVER BASIN MIXER



XF-840
SINGLE-LEVER SINK MIXER WITH PULL-OUT SPRAY



XF-837
TWO-HANDIE BIDET MIXER



XF-841
SINGLE-LEVER SINK MIXER WITH PULL-OUT SPRAY



XF-842
SANITARY FITTINGS



XF-846
FLOOR DRAIN



XF-843
SANITARY FITTINGS



XF-847 浴缸短下水
BATHTUB SHORT DRAIN



XF-844
SANITARY FITTINGS



XF-848 浴缸下水
BATHTUB DRAIN



XF-845
FLOOR DRAIN



XF-849 浴缸下水
BATHTUB DRAIN